

# RXM 2/20 Pedrollo Rostfri vortex länsypump

| Artikelnr | Beteckning              |
|-----------|-------------------------|
| 100004    | RXM 2/20:0,37/1x230/G32 |

## Installation

|          |          |
|----------|----------|
| Vikt     | 6,1 kg   |
| Styrning | Nivåvipa |
| Ansl. ut | G32 inv  |

## Elektrisk Data

|           |         |
|-----------|---------|
| Effekt    | 0,37 kW |
| Märkström | 2,6 A   |
| Spänning  | 1x230   |

## Övrigt

|           |             |
|-----------|-------------|
| Max Tryck | 8 mVp       |
| Max Flöde | 190,0 l/min |

med nivåvipa

Serie RX VORTEX rostfria dränkbara länsypumpar med VORTEX centrifugalhjul lämplig för att pumpa gråvatten med mjuka partiklar.

VORTEX centrifugalhjulet tillåter mjuka partiklar upp till 20/40mm att passera genom pumpen. Pumpen är gjorda av rostfritt stål för att maximera livslängd.

Pumparna finns även med vertikalfloator (betecknas med "-GM") som ge ökad driftsäkerhet eftersom den inte kan hänga sig på andra objekt och gör det även möjligt att installera i en mindre pumpgrop.

Samtliga RX pumpar har mekaniska axeltätningar av kiselkarbid/keramik som tillsammans med den höga prestanda och robust konstruktion ger besparingar för slutanvändaren i form av lång livslängd och problemfri drift.

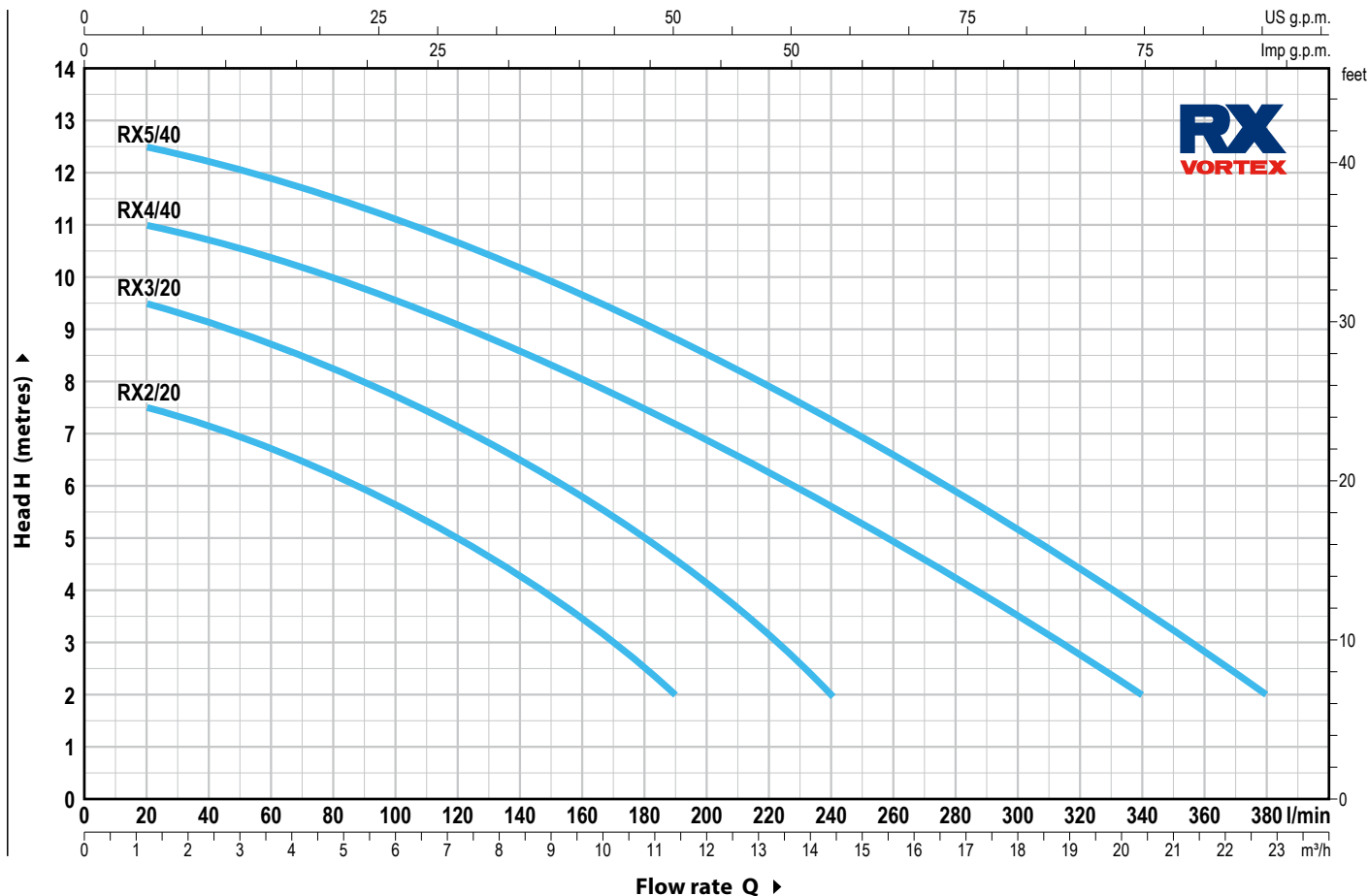
Snabbfakta:

- Lämplig för gråvatten efter slamavskiljare
- Nivåvipa
- Upp till 20/40mm mjuka partiklar beroende på modell
- Dubbel axeltätning av kol/keramik
- Vertikalfloator tillgänglig för vissa modeller



CHARACTERISTIC CURVES AND PERFORMANCE DATA

50 Hz n= 2900 min<sup>-1</sup>



| MODEL        |             | POWER (P <sub>2</sub> ) |      | Q        | H metres          |      |      |      |      |      |      |      |     |     |      |      |      |      |      |  |  |
|--------------|-------------|-------------------------|------|----------|-------------------|------|------|------|------|------|------|------|-----|-----|------|------|------|------|------|--|--|
| Single-phase | Three-phase | kW                      | HP   |          | m <sup>3</sup> /h | 0    | 1.2  | 2.4  | 3.6  | 4.8  | 6    | 7.2  | 8.4 | 9.6 | 11.4 | 13.2 | 14.4 | 20.4 | 22.8 |  |  |
|              |             |                         |      | l/min    | 0                 | 20   | 40   | 60   | 80   | 100  | 120  | 140  | 160 | 190 | 220  | 240  | 340  | 380  |      |  |  |
| RXm 2/20     | RX 2/20     | 0.37                    | 0.50 | H metres | 8                 | 7.5  | 7.1  | 6.7  | 6.2  | 5.7  | 5    | 4.3  | 3.4 | 2   |      |      |      |      |      |  |  |
| RXm 3/20     | RX 3/20     | 0.55                    | 0.75 |          | 10                | 9.5  | 9.1  | 8.7  | 8.2  | 7.7  | 7.1  | 6.5  | 5.8 | 4.6 | 3.2  | 2    |      |      |      |  |  |
| RXm 4/40     | RX 4/40     | 0.75                    | 1    |          | 11.2              | 11   | 10.7 | 10.4 | 10   | 9.5  | 9    | 8.5  | 8   | 7.1 | 6.2  | 5.6  | 2    |      |      |  |  |
| RXm 5/40     | RX 5/40     | 1.1                     | 1.5  |          | 13                | 12.5 | 12.2 | 11.9 | 11.5 | 11.1 | 10.6 | 10.1 | 9.6 | 8.8 | 7.9  | 7.3  | 3.6  | 2    |      |  |  |

Q = Flow rate H = Total manometric head

Tolerance of characteristic curves in compliance with EN ISO 9906 Grade 3B.

**POS. COMPONENT CONSTRUCTION CHARACTERISTICS**

|                             |  |
|-----------------------------|--|
| <b>1 PUMP BODY</b>          | Stainless steel AISI 304 with threaded port in compliance with ISO 228/1 |
| <b>2 SUCTION FILTER</b>     | Stainless steel AISI 304   |
| <b>3 DIFFUSER</b>           | Stainless steel AISI 304   |
| <b>4 IMPELLER</b>           | Stainless steel AISI 304 VORTEX type                                     |
| <b>5 MOTOR CASING</b>       | Stainless steel AISI 304   |
| <b>6 MOTOR CASING PLATE</b> | Stainless steel AISI 304   |
| <b>7 MOTOR SHAFT</b>        | Stainless steel AISI 431   |

**8 SHAFT WITH DOUBLE SEAL AND OIL CHAMBER**

| <i>Seal Model</i>  | <i>Shaft Diameter</i> | <i>Stationary ring</i> | <i>Materials</i>       |                  |
|--------------------|-----------------------|------------------------|------------------------|------------------|
|                    |                       |                        | <i>Rotational ring</i> | <i>Elastomer</i> |
| <b>STA-12R SIC</b> | <b>Ø 12 mm</b>        | Ceramic                | Silicon carbide        | NBR              |

**9 LIP SEAL**                    **Ø 12 x Ø 19 x H 5 mm**

**10 BEARINGS**                    **6201 ZZ / 6201 ZZ**

**11 CAPACITOR**

| <i>Pump Single-phase</i> | <i>Capacitance (230 V or 240 V) (110 V)</i> |                       |
|--------------------------|---|-----------------------|
| <b>RXm 2/20</b>          | <b>10 µF 450 VL</b>                         | <b>16 µF - 250 VL</b> |
| <b>RXm 3/20</b>          | <b>14 µF 450 VL</b>                         | <b>16 µF - 250 VL</b> |

**12 ELECTRIC MOTOR**

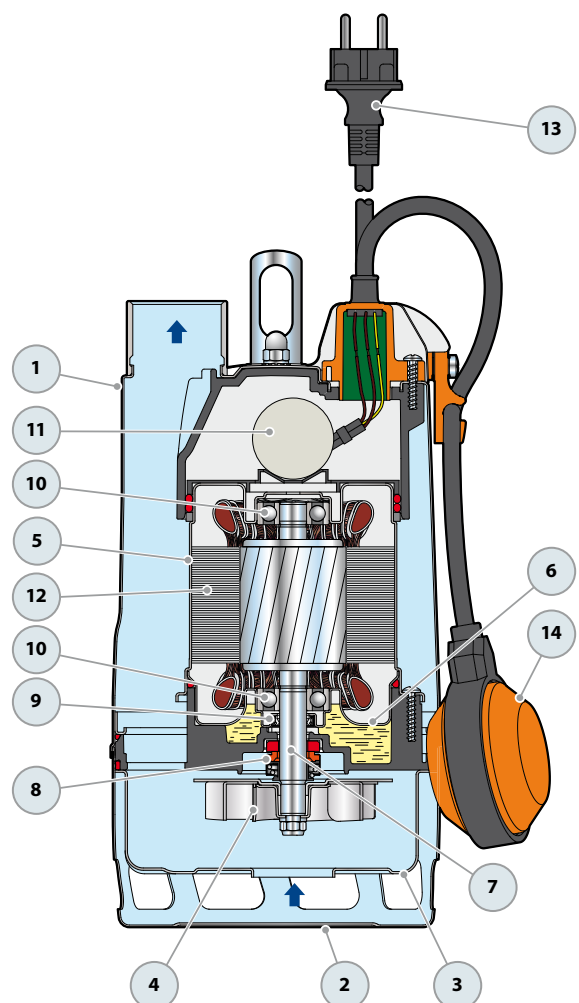
**RXm:** single-phase 230 V - 50 Hz  
with thermal overload protector incorporated into the winding  
**RX:** three-phase 400 V - 50 Hz  
– Insulation: class F  
– Protection: IP X8

**13 POWER CABLE**

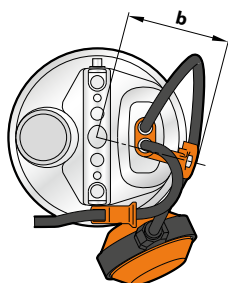
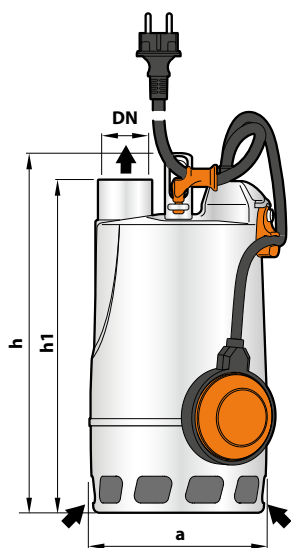
"H07 RN-F" type  
(with Schuko plug for single-phase versions only)  
**Standard length 5 metres**

**14 FLOAT SWITCH**

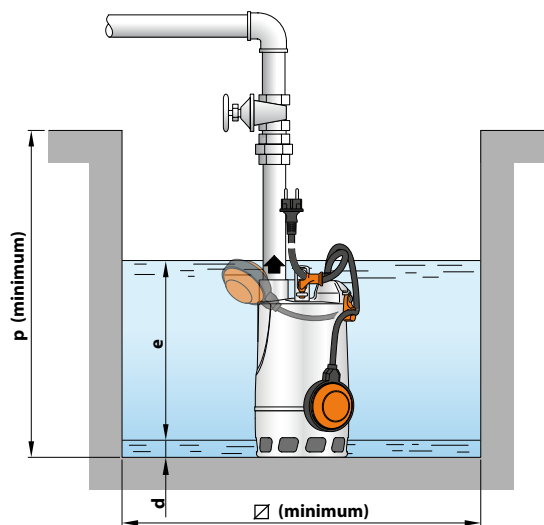
(Only for single-phase versions)



**DIMENSIONS AND WEIGHT**

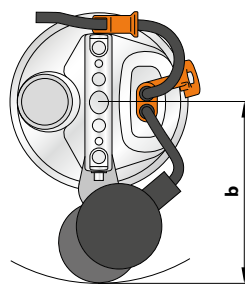
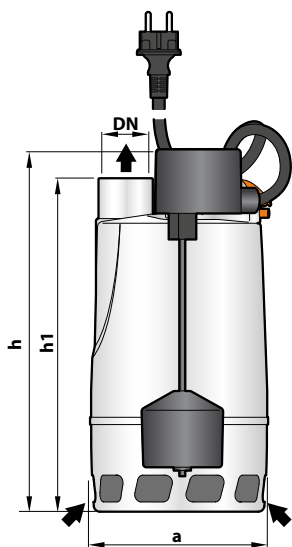


**Standard installation**

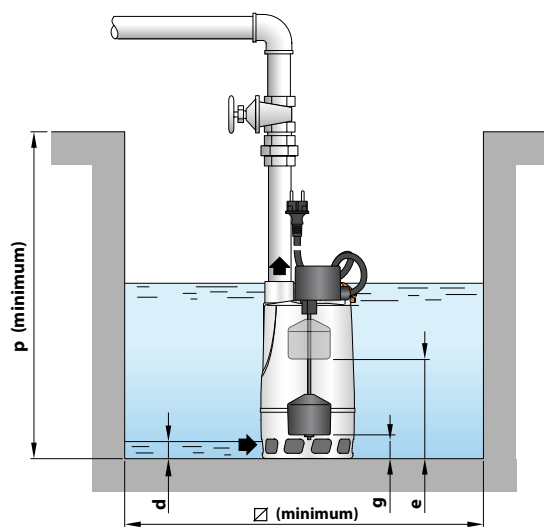


| MODEL        |             | PORT   | DIMENSIONS mm |    |     |     |    |          |     |     | kg  |     | PALLETIZATION        |                       |
|--------------|-------------|--------|---------------|----|-----|-----|----|----------|-----|-----|-----|-----|----------------------|-----------------------|
| Single-phase | Three-phase | DN     | a             | b  | h   | h1  | d  | e        | p   | Ø   | 1~  | 3~  | GROUPAGE<br>n. pumps | CONTAINER<br>n. pumps |
| RXm 2/20     | RX 2/20     | 1 1/4" | 147           | 83 | 302 | 278 | 25 | variable | 350 | 350 | 6.2 | 5.8 | 96                   | 144                   |
| RXm 3/20     | RX 3/20     |        |               |    | 330 | 308 |    |          |     |     |     |     |                      |                       |

**Version with vertical float switch**



**Standard installation**



| MODEL        |        | PORT | DIMENSIONS mm |     |     |    |     |    |     |     | kg  |                      | PALLETIZATION         |     |
|--------------|--------|------|---------------|-----|-----|----|-----|----|-----|-----|-----|----------------------|-----------------------|-----|
| Single-phase | DN     | a    | b             | h   | h1  | d  | e   | g  | p   | Ø   | 1~  | GROUPAGE<br>n. pumps | CONTAINER<br>n. pumps |     |
| RXm 2/20-GM  | 1 1/4" | 147  | 150           | 300 | 278 | 25 | 180 | 50 | 350 | 240 | 6.3 | 96                   | 144                   |     |
| RXm 3/20-GM  |        |      |               | 335 | 308 |    | 210 | 80 |     |     |     |                      |                       | 7.9 |

**ABSORPTION**

| MODEL               | VOLTAGE |       |       |
|---------------------|---------|-------|-------|
| <b>Single-phase</b> | 230 V   | 240 V | 110 V |
| RXm 2/20            | 2.6 A   | 2.5 A | 5.2 A |
| RXm 3/20            | 3.5 A   | 3.4 A | 6.4 A |

| MODEL              | VOLTAGE |       |       |       |
|--------------------|---------|-------|-------|-------|
| <b>Three-phase</b> | 230 V   | 400 V | 240 V | 415 V |
| RX 2/20            | 1.9 A   | 1.1 A | 1.9 A | 1.1 A |
| RX 3/20            | 2.9 A   | 1.7 A | 2.8 A | 1.6 A |

**POS. COMPONENT CONSTRUCTION CHARACTERISTICS**

|   |                           |  |
|---|---------------------------|--|
| 1 | <b>PUMP BODY</b>          | Stainless steel AISI 304 with threaded port in compliance with ISO 228/1 |
| 2 | <b>SUCTION FILTER</b>     | Stainless steel AISI 304   |
| 3 | <b>DIFFUSER</b>           | Stainless steel AISI 304   |
| 4 | <b>IMPELLER</b>           | Stainless steel AISI 304 VORTEX type                                     |
| 5 | <b>MOTOR CASING</b>       | Stainless steel AISI 304   |
| 6 | <b>MOTOR CASING PLATE</b> | Stainless steel AISI 304   |
| 7 | <b>MOTOR SHAFT</b>        | Stainless steel AISI 431   |

**8 SHAFT WITH DOUBLE MECHANICAL SEAL SEPARATED BY AN OIL CHAMBER**

| Seal Model  | Shaft Diameter | Position   | Materials       |                 |           |
|-------------|----------------|------------|-----------------|-----------------|-----------|
|             |                |            | Stationary ring | Rotational ring | Elastomer |
| MG1-14D SIC | Ø 14 mm        | Motor side | Silicon carbide | Graphite        | NBR       |
|             |                | Pump side  | Silicon carbide | Silicon carbide | NBR       |

**9 BEARINGS 6203 ZZ-C3E / 6203 ZZ-C3E**

**CAPACITOR**

| Pump            | Capacitance      |
|-----------------|------------------|
| 10 Single-phase | (230 V or 240 V) |
| RXm 4/40        | 20 µF 450 VL     |
| RXm 5/40        | 25 µF 450 VL     |

**11 ELECTRIC MOTOR**

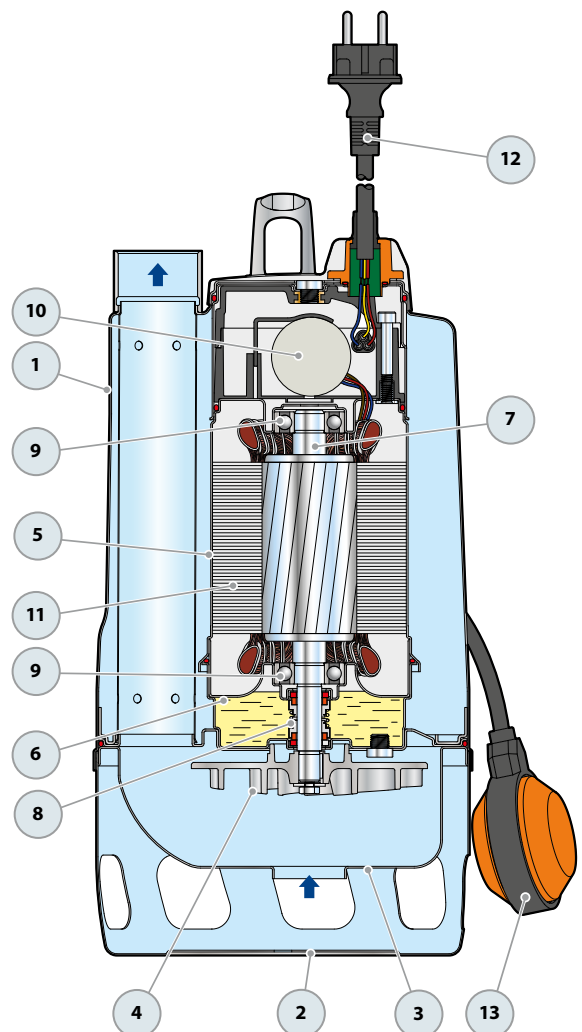
**RXm:** single-phase 230 V - 50 Hz  
with thermal overload protector incorporated into the winding  
**RX:** three-phase 400 V - 50 Hz  
– Insulation: class F  
– Protection: IP X8

**12 POWER CABLE**

“H07 RN-F” type  
(with Schuko plug for single-phase versions only)  
**Standard length 10 metres**

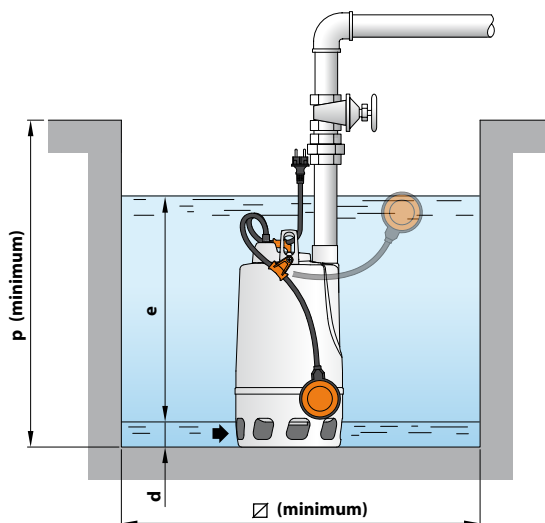
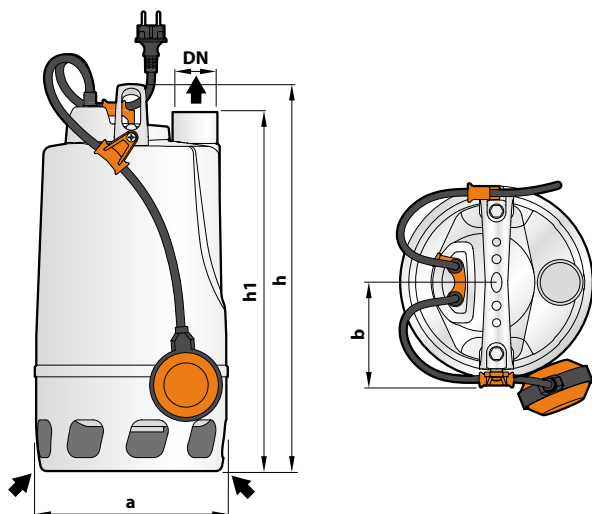
**13 FLOAT SWITCH**

Only for single-phase versions  
(Vertical float switch in the GM versions).



**DIMENSIONS AND WEIGHT**

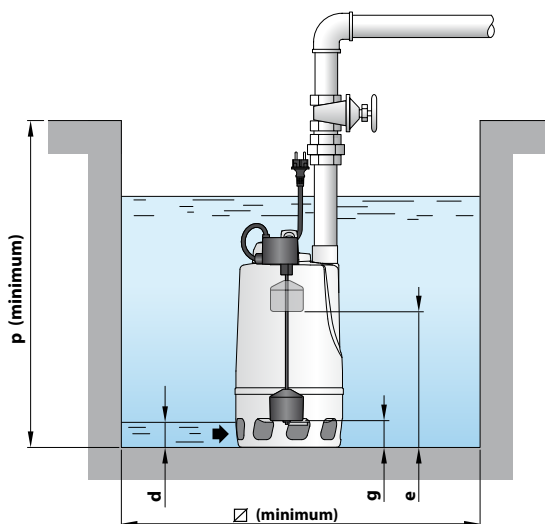
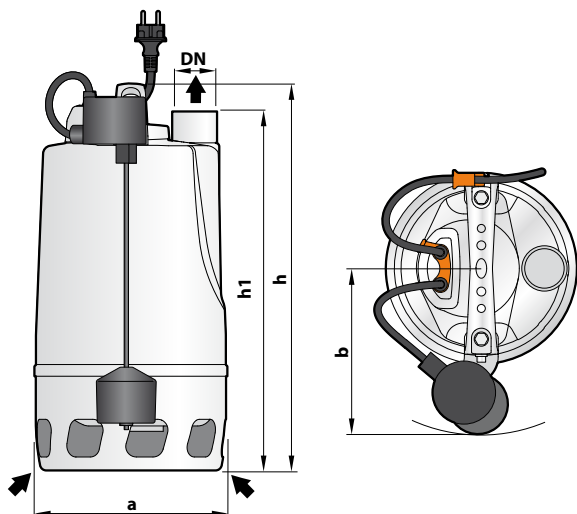
**Standard installation**



| MODEL        |             | PORT | DIMENSIONS mm |     |     |     |    |          |     |     | kg   |      | PALLETIZATION     |                    |
|--------------|-------------|------|---------------|-----|-----|-----|----|----------|-----|-----|------|------|-------------------|--------------------|
| Single-phase | Three-phase | DN   | a             | b   | h   | h1  | d  | e        | p   | Ø   | 1~   | 3~   | GROUPAGE n. pumps | CONTAINER n. pumps |
| RXm 4/40     | RX 4/40     | 1½"  | 215           | 115 | 433 | 400 | 50 | variable | 500 | 500 | 14.8 | 13.9 | 45                | 60                 |
| RXm 5/40     | RX 5/40     |      |               |     |     |     |    |          |     |     | 16.0 | 15.1 | 45                | 60                 |

**Version with vertical float switch**

**Standard installation**



| MODEL         | PORT | DIMENSIONS mm |       |     |     |    |     |    |     |     | kg   | PALLETIZATION     |                    |
|---------------|------|---------------|-------|-----|-----|----|-----|----|-----|-----|------|-------------------|--------------------|
| Single-phase  | DN   | a             | b     | h   | h1  | d  | e   | g  | p   | Ø   | 1~   | GROUPAGE n. pumps | CONTAINER n. pumps |
| RXm 4/40 - GM | 1½"  | 215           | 186.5 | 433 | 400 | 50 | 320 | 80 | 500 | 350 | 15.2 | 36                | 48                 |
| RXm 5/40 - GM |      |               |       |     |     |    |     |    |     |     | 16.3 | 36                | 48                 |

**ABSORPTION**

| MODEL        | VOLTAGE |       |
|--------------|---------|-------|
| Single-phase | 230 V   | 240 V |
| RXm 4/40     | 5.2 A   | 5.0 A |
| RXm 5/40     | 6.5 A   | 6.5 A |

| MODEL       | VOLTAGE |       |       |       |
|-------------|---------|-------|-------|-------|
| Three-phase | 230 V   | 400 V | 240 V | 415 V |
| RX 4/40     | 3.6 A   | 2.1 A | 3.5 A | 2.0 A |
| RX 5/40     | 5.4 A   | 3.1 A | 5.2 A | 3.0 A |